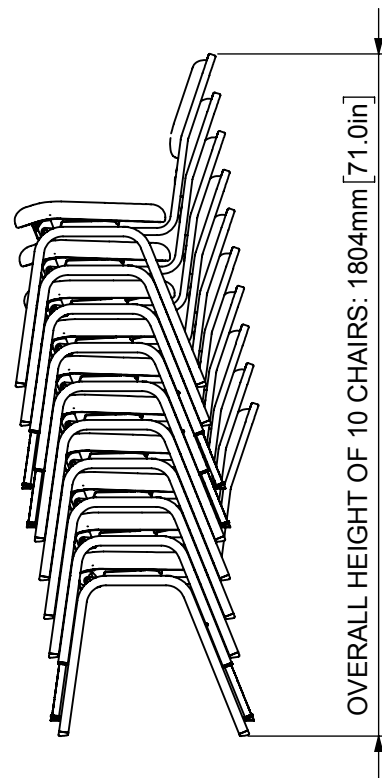
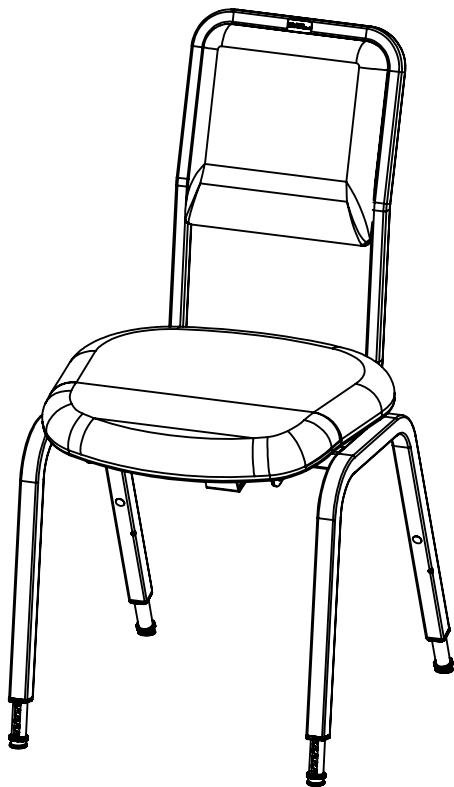
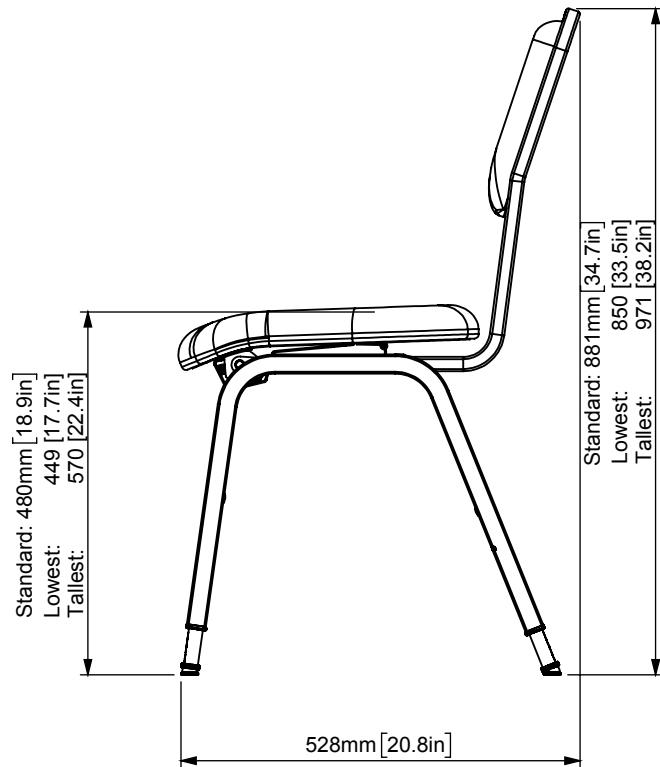
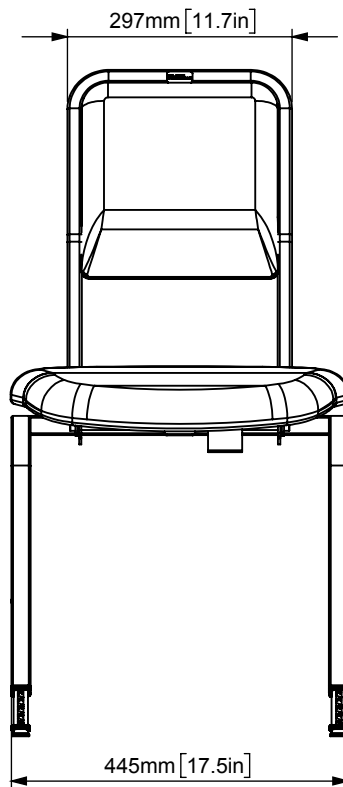


# THE OPERA CHAIR

Detailed specification



## Specifier's description

Heavy duty musician's chair with adjustable seat angle and independently adjustable legs. Chairs can be stacked up to 10 high on a flat floor, without loss of stability.

Construction	
Structural parts	Steel
Feet	HDPE
Seat and back	Plywood
Coating	Textured epoxy/polyester
Dimensions	
Overall depth	528mm [20.8in]
Overall width	445mm [17.5in]
Overall height- Standard & Adjustable seat	Standard: 881mm [34.7in] Lowest: 850mm [33.5in] Tallest: 971mm [38.2in]
Seat height - Standard & Adjustable seat	Standard: 480mm [18.9in] Lowest: 449mm [17.7in] Tallest: 570mm [22.4in]
Weight	Standard: 7kg Adjustable seat: 7.5kg Adjustable seat and legs: 8.3kg
General	
Warranty	5 years
Applicable standards	
Part number	Non adjustable: 301Q1048B Adjustable seat angle: 301Q2048B Adjustable seat and legs: 301Q3048B